

SPC1V OSCILLATOR



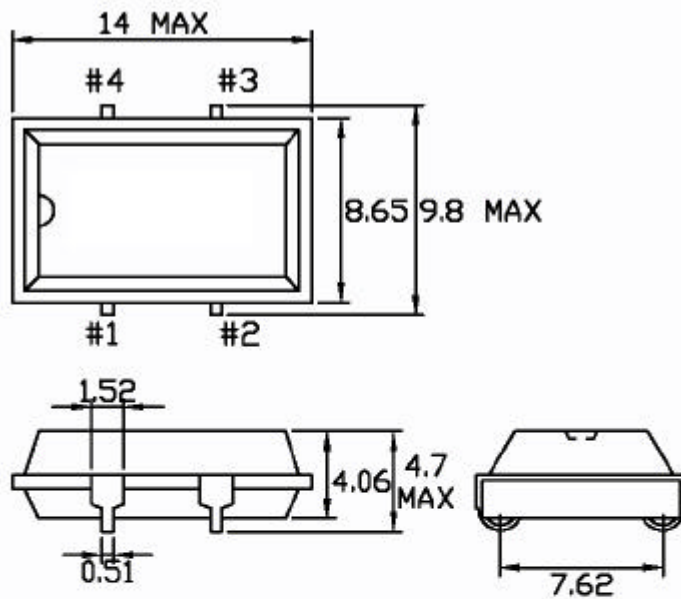
Specifications		
Parameters	Standard	Options
Frequency range	1,5 MHz - 32,000 MHz	
Logic output	HCMOS/TTL compatible	TTL only
Frequency stability		
Overall	+- 50 ppm	+-20 ppm best possible
Initial at 25°C	Please specify	
Temperature		
vs supply voltage change		
vs load change		
Aging first year		
Aging over Years		
Operating temperature	0° C ~ +70°C	-20°C ~ +70°C -40°C ~ +85°C Other on custom request
Storage temperature	-40°C ~ +85°C	-55°C ~ +125°C
Supply voltage	5,0 V ± 5% or 3,3 V +5%	
Current	35 mA max	Other
Load	15 pF	Other - dependent of logic output
Rise/fall time		Other on custom request
1,5 MHz - 7,999 MHz	8 ns max.	
8,000 MHz - 32,000 MHz	6 ns max.	
Duty cycle	40/60 %	45/55 % Other on custom request
Phase noise	Please specify (if required)	
Harmonics		
Sub-harmonics		
Jitter		
Start-up time	10 ms max.	Other on custom request
Tristate	no tristate	High or open = enable Low = disable
Linearity	± 10% max.	Other on custom request
Frequency tuning range	± 50 ppm - ± 200 ppm min	Other on custom request
Pulling slope	Positive	Other on custom request
External control voltage	+ 1,65 VDC ±1,65 VDC (3,3V) +2,5 VDC ±2,5 VDC (5,0V)	Other

SPC1V OSCILLATOR

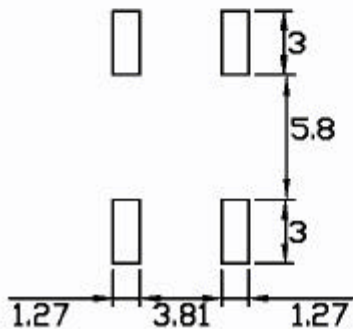
Specifications

Parameters	Standard	Options
Marking	Freq + Code + Week +Year	
Package	SP1	

Drawing



RECOMMENDED SOLDER PAD LAYOUT



Pin configuration	4 pad version	
	#1: Control voltage	
	#2 : GND	
	#3 : Output	
	#4 : Vcc	

HM International
 Demer 26 B-2230 Herselt BELGIUM
 Tel. +32(0)14548955 Fax. +32(0)14549443
 email : info@hminternational.be www.hminternational.be